



# STAINLESS STEEL WALL MOUNTED TABLES

Item #: \_\_\_\_\_ Qty #: \_\_\_\_\_  
 Model #: \_\_\_\_\_  
 Project #: \_\_\_\_\_



1 1/2" Backsplash - FSS-W Series



1 1/2" Backsplash - FSS-W Series  
(shown with optional Sink Bowl)

**LOAD CAPACITY = 25 lbs. per sq. ft.**

Width x Length	1 1/2" Backsplash	Approx. Wt.
24" x 30"	FSS-W-240	42 lbs.
24" x 24"	FSS-W-242	25 lbs.
24" x 36"	FSS-W-243	53 lbs.
24" x 48"	FSS-W-244	64 lbs.
24" x 60"	FSS-W-245	74 lbs.
24" x 72"	FSS-W-246	85 lbs.
24" x 84"	FSS-W-247	103 lbs.
24" x 96"	FSS-W-248*	114 lbs.
30" x 30"	FSS-W-300	52 lbs.
30" x 24"	FSS-W-302	47 lbs.
30" x 36"	FSS-W-303	59 lbs.
30" x 48"	FSS-W-304	72 lbs.
30" x 60"	FSS-W-305	85 lbs.
30" x 72"	FSS-W-306	93 lbs.
30" x 84"	FSS-W-307	113 lbs.
30" x 96"	FSS-W-308*	126 lbs.

\*96" units include 3 support brackets

SINK BOWLS  
(Faucet & Basket  
Drain Included)

Model #	Qty.
TA-11A	
TA-11B	
TA-11C	
TA-11D*	
TA-11F	
TA-11J	

\* = Only Installed in  
Countertops 30" or wider

## DESIGN:

### GENERAL:

Unit is secured to wall by fastening TOP to a Steel-Dart Design-Angle, which is first secured to wall. A 1 5/8" tubular WALL BRACKET furnishes additional support when fastened to a steel wall mounted embossed flange.

### FSS-W Series (Rolled Rim - 1 1/2" Backsplash)

Top is furnished with 1 5/8" sanitary rolled rim edges on 3 sides with rounded "bullnose" corners and a 1 1/2" splash on single metal thickness on the rear edge.

## CONSTRUCTION:

All TIG welded. Exposed weld areas polished to match adjacent surfaces.

Entire top mechanically polished to a satin finish. VKS-W Countertop edge polished to a MIRROR finish.

Top is sound deadened.

Roll formed embossed galvanized hat channels are secured to top by means of structural adhesive and weld studs.

## MATERIAL:

**TOPS:** 14 gauge stainless steel type "304" series.

**WALL BRACKETS:** 1 5/8" diameter 16 gauge type "304" stainless steel tubing.

**WALL ANGLE:** 12 gauge galvanized steel

**WALL FLANGES:** Stainless steel embossed 5 3/4" diameter.



Customer Service Available To Assist You **1-800-645-3166** 8:30 am - 7:00 pm E.S.T.

For Orders & Customer Service:

Email: customer@advancetabco.com or Fax: 631-242-6900

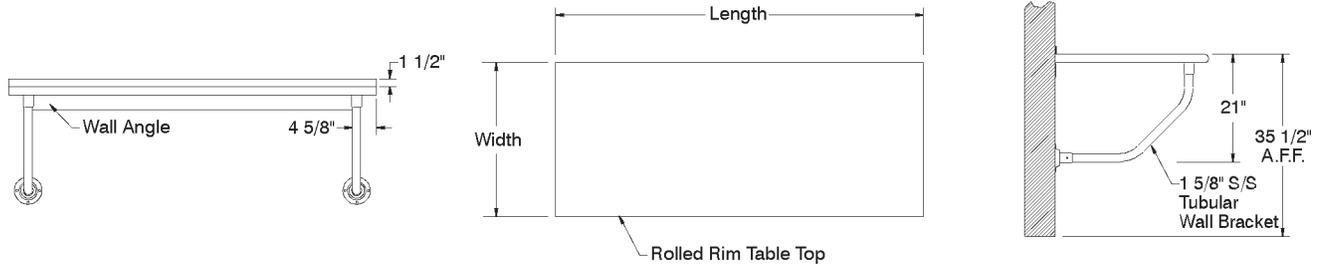
For Smart Fabrication™ Quotes:

Email: smartfab@advancetabco.com or Fax: 631-586-2933

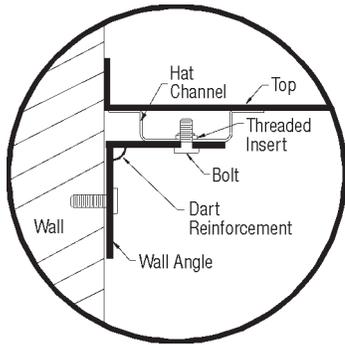
# DETAILS and SPECIFICATIONS

TOL  $\pm$  .500"

ALL DIMENSIONS ARE TYPICAL



Wall Angle Detail



Wall Flange Detail

